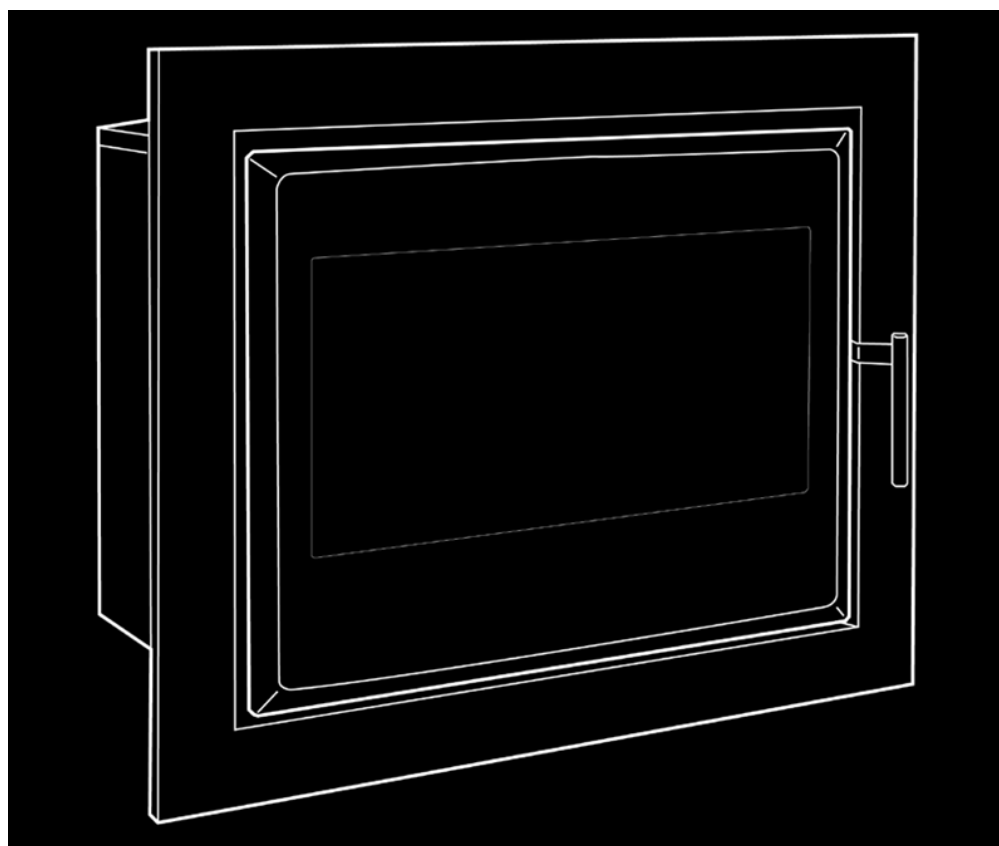


# hergom

## NATURE 70 - 80 - 100



**INSTRUCCIONES PARA INSTALACIÓN, USO Y MANTENIMIENTO.  
ISTRUZIONI PER L'INSTALLAZIONE, L'USO E LA MANUTENZIONE  
INSTALLATION, USE AND MAINTENANCE INSTRUCTIONS.  
INSTRUCTIONS D'INSTALLATION, DE SERVICE ET D'ENTRETIEN  
INSTRUCÇÕES PARA A INSTALAÇÃO, UTILIZAÇÃO E MANUTENÇÃO.**

C03398  
ED 11/2013

## **WELCOME to the HERGÓM family**

*We would like to thank you for choosing our Compact NATURE, which represents, in technique and style, a significant improvement over typical log fireplaces*

*Your new Fireplace is, perhaps, the most advanced solid fuel heating system known today. Owning a Compact HERGOM NATURE displays an exceptional sense of quality.*

*Please read this manual in full. Its purpose is to familiarise users with the device by explaining extremely useful installation, operational and maintenance instructions. Keep this manual at hand for future reference whenever necessary.*

*If, after reading this manual, you should require any further clarification, please consult your regular dealer.*

*INDUSTRIAS HERGÓM, S.A. may not be held liable for any damages caused by alterations in its products that have not been authorised in writing, or for defective installation work.*

**Furthermore, it reserves the right to change its products without prior warning.**

*Industrias Hergóm, S.A. domiciled in Soto de la Marina (Cantabria) - Spain, offers a TWO YEAR warranty on its products.*

*The geographical coverage of the said warranty only includes the countries in which Industrias Hergom, S.A., a subsidiary company or an official importer distribute its products and where Community Directive 1999/44/CE is in force.*

*The warranty comes into force on the purchase date of the product as indicated on the warranty document and only covers damage or breakages due to manufacturing defects.*

---

## **IMPORTANT NOTE**

If the compact fireplace is not installed correctly, it will not provide the excellent service for which it has been designed. Please, read these instructions in full and trust the work to a specialist.

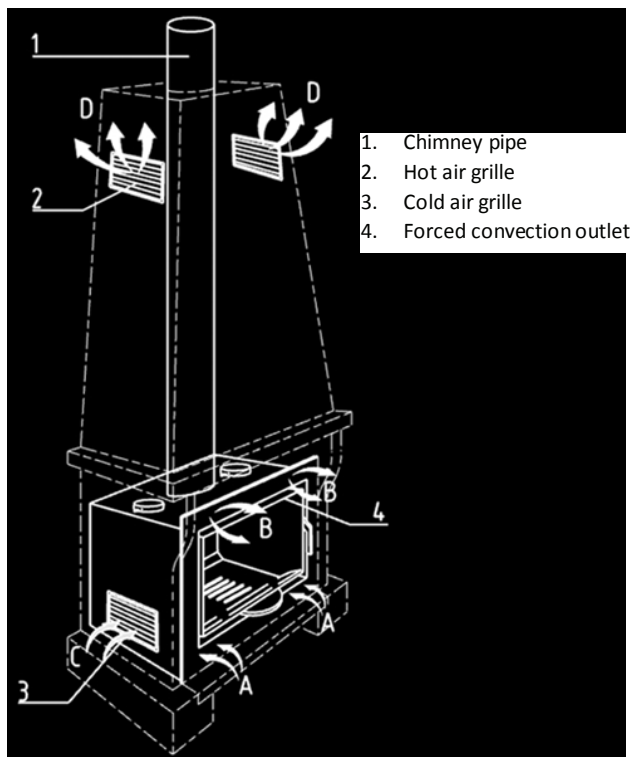
**The surface of your Compact Fireplace is protected by a coat of special anti-heat paint that resists high temperatures. When lighting the fireplace for the first few times, the said paint may emit some fumes. This is normal and is due to the evaporation of certain components of the paint while it adapts to the heat. We, therefore, recommend ventilating the room until this phenomenon ceases to appear.**

## 1 - INTRODUCTION

**IMPORTANT!** All local regulations, including those that refer to national or European regulations, must be applied when installing this device.

**NOTE:** When installing any type of insulation to safeguard the heat cover, take the following obligatory recommendations into account:

- The insulation must never come into contact with the device; this would prevent the transfer of heat and the displacement of the hot air to the top of the hood.
- Leave a minimum distance of 7 cm between the insulation and the appliance.



The way the Compact NATURE is installed will have a decisive effect on safety issues and its correct operation.

It is important to install the fireplace correctly. To ensure your Compact NATURE fireplace and the chimney is installed correctly, it should be installed by a professional.

The Compact NATURE provides heat by radiation; directly heating walls, ceilings...

and by forced air convection, thanks to the fans installed.

## 1.2 - HOT AIR OUTLET OPTIONS

### TOP GRILLE AIR FLOW

This is the STANDARD air exit. Air enters through the lower section, "A", and the internal fan forces the hot air through the top section "B".

### AIR FLOW THROUGH THE HOOD

This option is compatible with the one mentioned above.

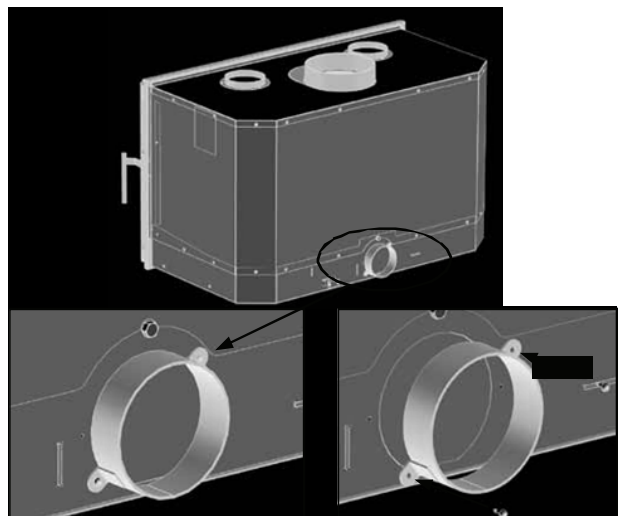
Brick hoods must include holes at the bottom and at the top. These gaps can be covered by ornamental grilles to facilitate the flow of air. Cold air enters through the lower section, "C" and exits through the upper section "D" (take into account that your Compact NATURE Fireplace provides most of its heat by convection). If the ventilation holes in the hood are not large enough, the device may be damaged if it is unable to dissipate the heat.

**IMPORTANT!** The minimum air intake gap recommended is 200cm<sup>2</sup> of free passage through the grille.

The air input grilles in the hood must be located in such a way that they cannot be blocked.

For further information on the correct installation of the device, please see the **Manual for the Professional Installer**.

## 1.3 - CONNECTION OF OUTLET

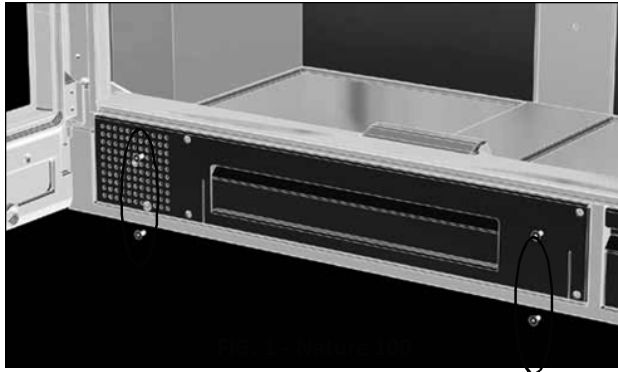


## 2 - DISASSEMBLING ELECTRICAL PARTS

**ATTENTION!** Before working on electrical parts be sure the appliance has been disconnected from the mains.

In order to replace the fans, observe the following instructions:

1. Remove the four screws holding the front of the fan support tray (Fig.1). **In the case of Nature 70/80 models, there are two screws instead of four.**



2. Once the 4 screws have been loosened (**two in the Nature 70/80 model**) remove the fan support tray (Fig. 2). Be especially careful when removing the tray so as not to cut or damage the wiring.

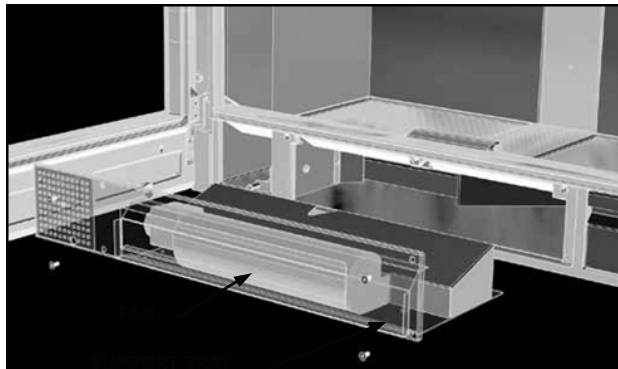
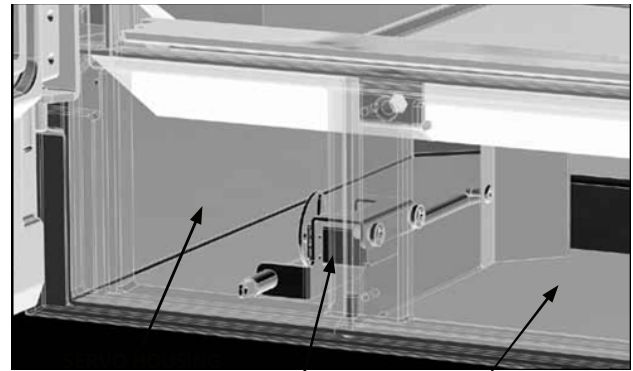


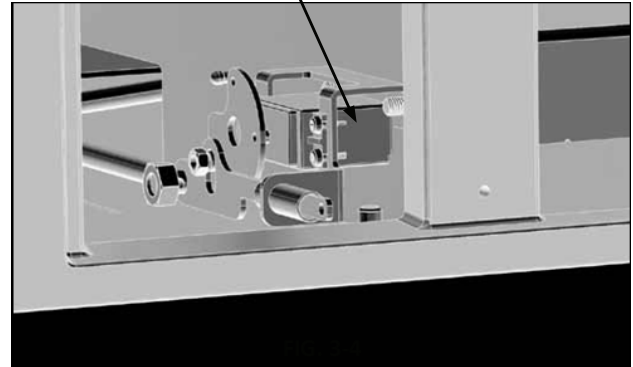
FIG. 2 - Nature 100

3. Once the fan support tray has been removed, you can access the servo housing (Fig. 3-4).



SERVO

FAN HOUSING



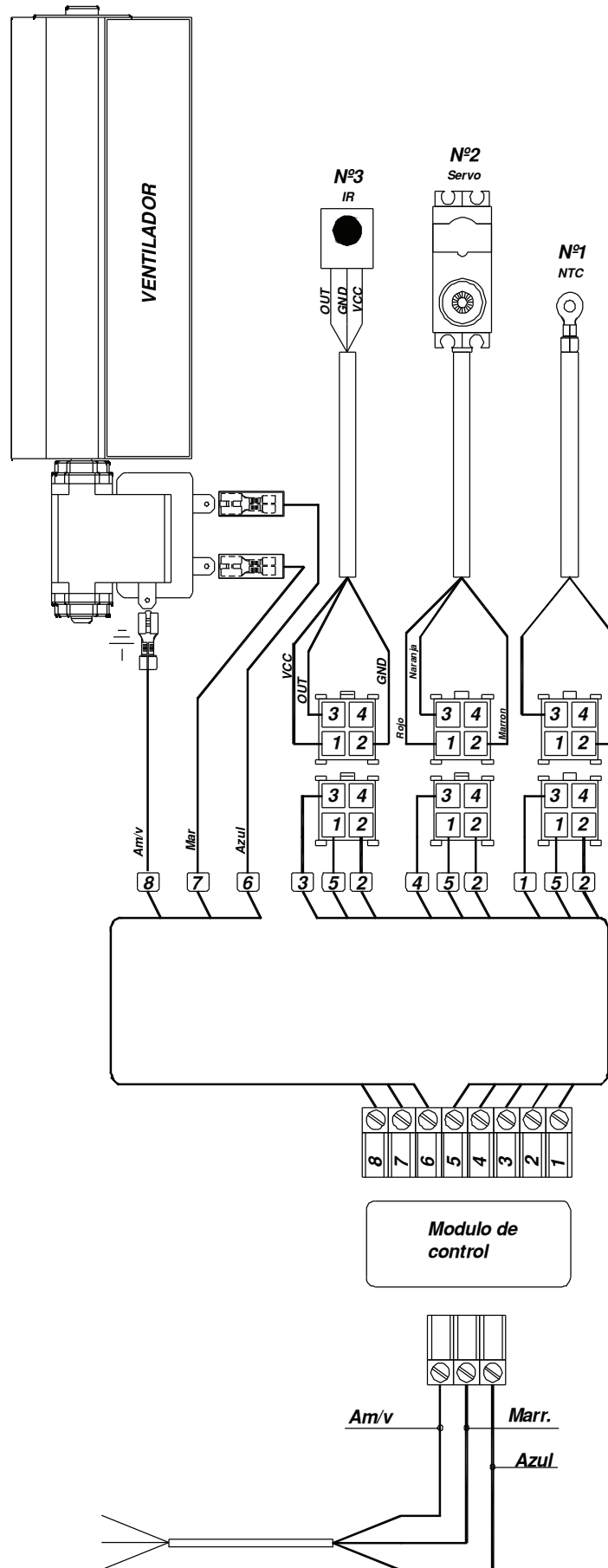
### REPLACING THE POWER SUPPLY CABLE

If the power supply cable has been damaged, it should be replaced by the manufacturer, via its Technical Service, or by qualified personnel, in order to avoid risks.

***INDUSTRIAS HERGÓM, S.A., rejects any liability derived from a faulty installation or incorrect use and reserves the right to alter its products without prior warning.***

***Any liability due to manufacturing defects will be subject to the criteria and verification of the company's experts and will be limited to the repair or replacement of its products, excluding any construction work or damage the said repairs may cause.***

# ELECTRICAL SCHEME



### 3 - OPERATION



#### DESCRIPTION OF THE DISPLAY

- ❶ MODO
- ❷ TEMPERATURA ACONDICIONADOR
- ❸ VENTILADOR
- ❹ TEMPERATURA AMBIENTE
- ❺ SWING Y FAN
- ❻ TIMER OFF
- ❼ RELOJ / TIMER ON / CÓDIGO MODELO
- ❽ SLEEP

#### DESCRIPTION OF THE KEYBOARD

- ❄ I.COOL
- ☀ I.HEAT
- ⏻ POWER
- ⬆ TEMP+
- ⬇ TEMP-
- ↻ MODE
- ↔ SWING
- 🌀 DIR
- 🌀 FAN
- + +
- -
- 🕒 TIMER ON
- 🕒 TIMER OFF
- 🕒 CLOCK
- C/F C°/F°
- 🌙 SLEEP
- OK ENTER
- Ⓢ SELECT
- RESET

The Nature Compact appliance has been equipped with an electronically controlled forced convection fan and combustion air intake valve.

**In order to adjust the settings, point the remote control towards the appliance.**

**The infra-red receiver is located at the bottom left of your appliance.**

**FAN** The fan can be adjusted in two ways:

**-Automatic: This mode has precedence over the manual mode.**

In this mode, the fan will operate at speed 1 (1/3 of the fan's full speed) when the temperature probe reaches 40°C.

Two safety measures are enabled in this mode. When the probe reaches a temperature of 70°C, the fan will operate at speed 2 (2/3 of the fan's full speed).

When the probe detects a temperature of 90°C, the fan will operate at full speed and return to speed 2 when the probe detects that the temperature drops below 85°C.

**-Manual:** In order to adjust the fan, select this option using the **MODE** button . This will enable you to increase the speed of the fan by pressing the **FAN** button and selecting one of the four options **AUTO** / **MINIMUM** / **MEDIUM** / **MAXIMUM** . When operating the device manually, you may increase the speed of the fan in relation to the speed selected by the automatic function, **you will not be allowed to reduce the speed of the fan below the speed established by the automatic function or stop the fan if the automatic function is connected.**

**If you activate the fan when there is no temperature, the fan will stop two hours after the last time the remote control was used**

#### COMBUSTION AIR ADJUSTMENT.

When the compact device is plugged into a power socket, the valve resets into the open position. This operation takes place whenever the device is unplugged and then plugged in again or when the power supply is re-established after a power cut.

- Use the valve option in the **MODE** selector to adjust the valve. Once the symbol appears on the display, use **^ TEMP+** to open the valve and **∨ TEMP-** to close the valve (**press repeatedly until the desired valve position appears on the display**)

The motorised valve has 5 defined positions. These positions are displayed by means of a series of horizontal bars.

- VALVE CLOSED
- VALVE OPEN 1/4
- VALVE OPEN 2/4
- VALVE OPEN 3/4
- VALVE FULLY OPEN

## 4 - LIGHTING AND REGULATING COMBUSTION

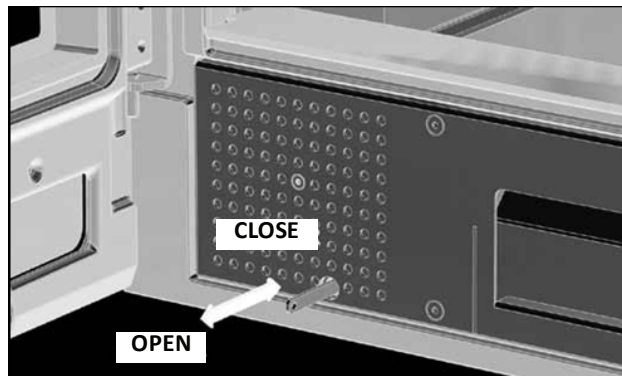


FIG. 6

It is essential to provide an abundant load of fuel when lighting. The following loads will depend on the heat requirement desired.

**It is advisable to leave the door partially open to avoid condensation and to keep the glass clean for some minutes after lighting the fire.**

Once the fireplace is operating at its normal level and the chimney has heated up, regulate combustion by means of the remote control. When the inflow of air is fully closed, combustion will be slow; when the inflow of air is open, combustion will be more intense.

When the device is to be used in the same room as other heating devices that require air for combustion purposes, we recommend an additional inflow of air from outside to facilitate

combustion in all the said devices.

The use of one or more heating devices in the same room reduces the level of available oxygen, affecting the combustion of the fireplace and reducing the draw of the chimney.

Actuating the control valve as described in the previous steps, provides a greater inflow of air for the combustion process; this provision of air takes place at the upper part of the glass pane.

**ATTENTION! When working, the metal parts of the fireplace may reach high temperatures. Protect your hands with a fireproof glove when touching the said parts.**

If you detect any **overheating** in the fireplace caused by fan failure or breakage of the thermostat, stop the appliance to avoid damaging both the compact fireplace and the walls.

Follow these recommendations:

- Do not add any more fuel
- Open the door slightly to let more air in; this will cause the flames to grow and consume the fuel more quickly but will also cool the chimney and reduce draw, cooling the appliance.

**The Nature compact fireplace has been designed to operate using intermittent combustion processes.**



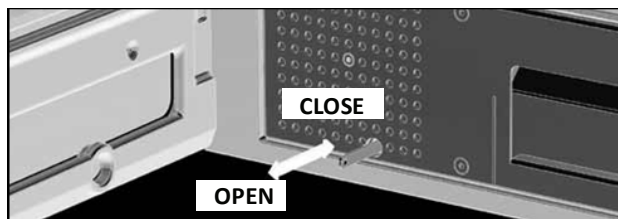
## 5 - EMERGENCY SYSTEM FOR ADJUSTING COMBUSTION AIR

If there is a very long power cut the Nature Compact appliance is equipped with a manual control to open or close the air intake, **NEVER operate without power for extended periods of time.**

This system should be used only in specific cases; the prolonged operation of the fireplace without power could damage the appliance.

On the other hand, do not disconnect the appliance from the power point while it is hot.

**ATTENTION! The emergency system has been designed to adjust the compact appliance before it is lighted, identifying the position of the control valve in advance; NEVER manipulate the device once it is hot as this can cause accidents.**



## 6 - CLEANING

### THE FRONT

Preferably clean when the Fireplace is cold, using a slightly damp cloth.

### THE GLASS PANE

Fireplace window cleaning liquids are effective products.

Never try to clean the glass while the fireplace is working. We recommend using HERGOM window cleaning products.

**Replacing:** The glass pane in your Fireplace is made of thermal material, especially manufactured for log fireplaces. If it should break due to an accident, it must be replaced by another glass pane with the same technical specifications. Contact our Distributor to provide you with the appropriate glass pane, together with instructions on how to assemble and seal it.

### DEFLECTOR

The deflector in the CN 100 model consists of

two parts placed on a central support. In models CN 70/80, the deflector consists of one piece supported on both sides.

**Nature 100 Model:** Slide the deflector upwards along the central area as described in the figure, lift one side more than the other until it can be manoeuvred out of the two supports and removed from the fireplace. Pay attention to the vermiculite, it is very fragile (Fig. 7).

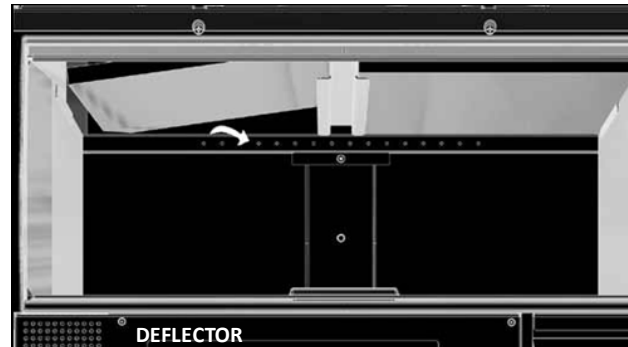


FIG. 7 - Nature 100

**Nature 70/80 Model:** slide the support towards the centre as described in the figure; let one side of the deflector drop and remove it from the fireplace. (Fig. 8/9).

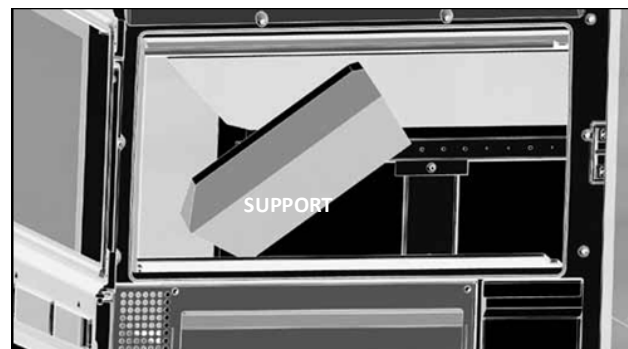


FIG. 8

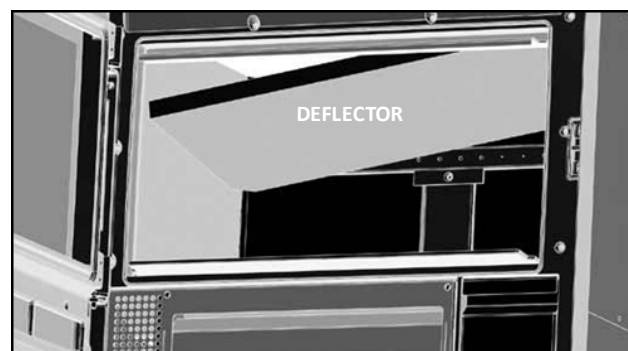


FIG. 9



Clean the deflector on both sides at least once each season using a brush. This will facilitate the transmission of air through the plate and avoid its deterioration to a great extent.

Replace the deflector following the steps indicated above in reverse order.

### JOINTS AND SEALS

It is advisable to perform a visual inspection of the door joints at the beginning and in mid-season to ensure they are airtight. If necessary, contact our Distributor to supply you with the appropriate seal, along with assembly instructions.

## 7 - SEGURIDAD

### WARNING!

**Gas/log/pellet units get hot when in use.**

**Consequently, owners must act with precaution and keep at a distance. Especially keep children, the elderly and other people who require special supervision, as well as pets, away from the fireplace when it is in use.**

**Make sure that children or other people who are not familiar with how the device works are supervised by responsible people when they are near the fireplace.**

**In order to prevent burns or children or other people from coming near the appliance, use a fire grille or screen.**

There are potential risks that must be taken into account when operating your solid fuel fireplace, whatever the brand. The said risks can be minimised if the instructions and recommendations included in this manual are followed.

- Keep any flammable material (furniture, curtains, clothes...) away from the fireplace, at a safe distance of at least 0,90m. (Fig. 10)
- Ash should be emptied into a metal container and immediately removed from the house.
- Do not use flammable liquids to light the fireplace. Keep any type of flammable liquid (petrol, gasoline, alcohol,...) at a distance from the fireplace.
- Periodically inspect the chimney and clean whenever necessary. Also inspect the state of joints, glass, screws...

- Do not install near walls that are combustible or that feature any type of lining that may be damaged or deformed by high temperatures (varnish, paint...). Precautions should also be taken to prevent placing the hot air grilles on combustible items.
- **Protect your hands with a glove or other insulating material because, during operation, the opening and closing handle will be hot.**

When installing the compact NATURE fireplace, follow the installation advice below for your own safety:

1. The base where you are going to place your NATURE fireplace must be flat and provide a perfect seat for your fireplace. The base must be built using heat resistant materials.
2. The gap in which your NATURE fireplace will be installed must be completely free from debris and waste materials that may ignite when the fireplace is working.
3. The inside of the gap where the NATURE fireplace is to be installed will be appropriately insulated or built of materials that resist high temperatures.
4. If insulation must be installed inside the gap, do not cover the ventilation grille.
5. Never wrap the insert fireplace in insulation material as this will damage it.

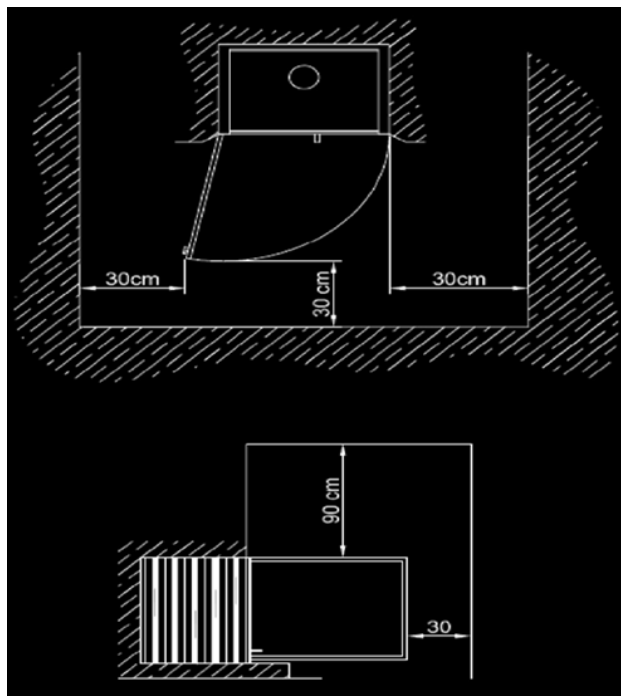


FIG. 10

## 8 - ASSEMBLING THE CHIMNEY

To make it easier for the installers to assemble the chimney, the position of the outlet collar can be adjusted on the Nature fireplace.

Once the deflector has been removed, the smoke outlet collar can be reached.

1. Remove the four screws holding the collar to the top of the fireplace (fig. 11).

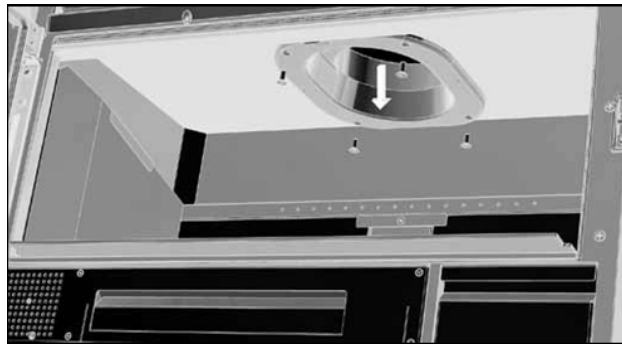


FIG. 11

2. Remove the chimney by pulling it down **ATTENTION! HOLD THE FIREPLACE WITH ONE HAND BEFORE RELEASING THE LAST SCREW; IF NOT THE CHIMNEY OUTLET MAY FALL** (Fig. 12).

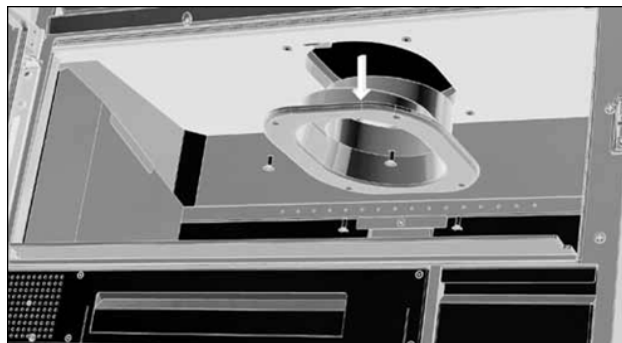


FIG. 12

3. Turn the chimney outlet 180° (fig.13).

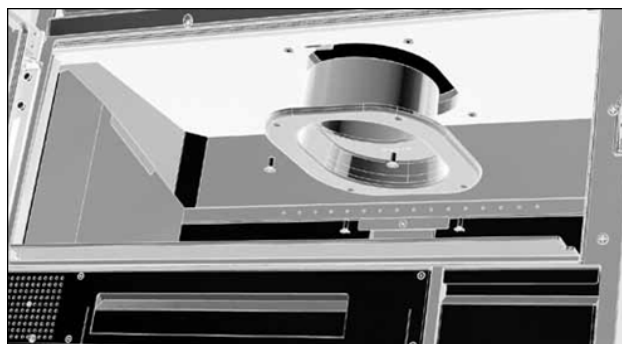


FIG. 13

4. Secure the chimney to the top again **ATTENTION! MAKE SURE THE COLLAR IS CORRECTLY ATTACHED TO THE TOP** (Fig.14).

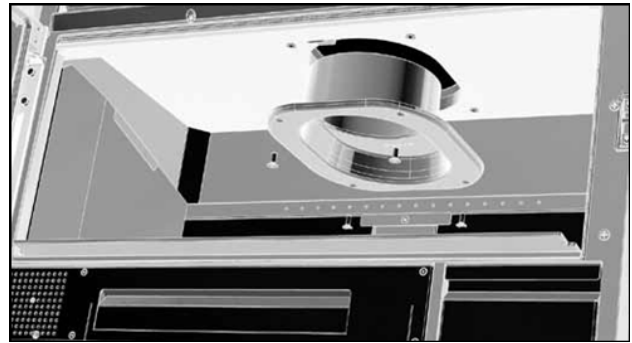


FIG. 14

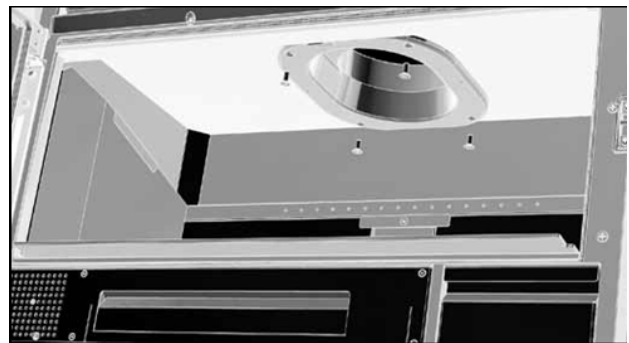


FIG. 15 - Original position

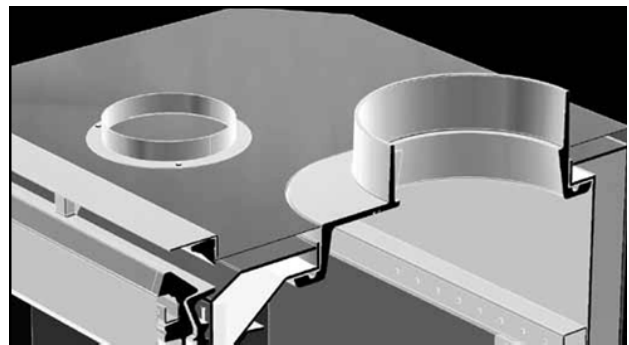


FIG. 16 - Original position

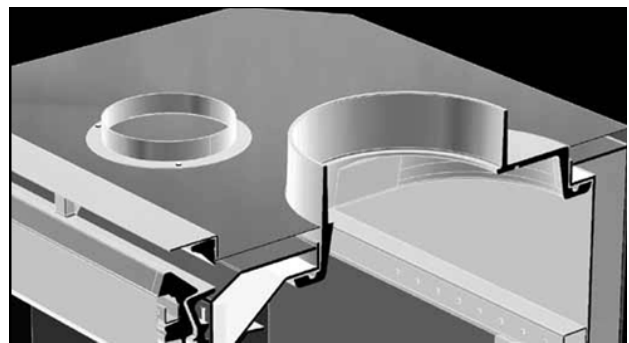


FIG. 17 - Changed position